

ISLEVER

NS0-310

Network Appliance Solution Architect-Backup
and Restore

DEMO

<https://www.islever.com/ns0-310.html>

<https://www.islever.com/netapp.html>

For the most up-to-date exam questions and materials, we recommend visiting our website, where you can access the latest content and resources.

QUESTION NO: 1

In which of the two following instances does VTL helps in performance versus tape?

- A. Streaming multiple streams
- B. Slow Data Networks
- C. Millions of small files
- D. Small number of large files

Answer: A,B

QUESTION NO: 2

Which one of the following OSSV clients are integrated with SnapManager for Exchange?

- A. SyncSort Backup Express
- B. CommVault QiNetix
- C. BakboneNetVault
- D. None of the above

Answer: D

QUESTION NO: 3

Which one of the following is NOT controlled by SnapManager for Exchange?

- A. SnapMirror
- B. Snapshots
- C. SnapRestore
- D. VSS Snapshots forNetApp OSSV

Answer: D

QUESTION NO: 4

Customer wants to backup non-NetApp storage using NetBackup. They want easy online access to long history of backups. Which one of the disk-based NetApp solution should be proposed?

- A. VTL
- B. SnapVault for NetBackup
- C. NDMP
- D. OSSV

Answer: B

QUESTION NO: 5

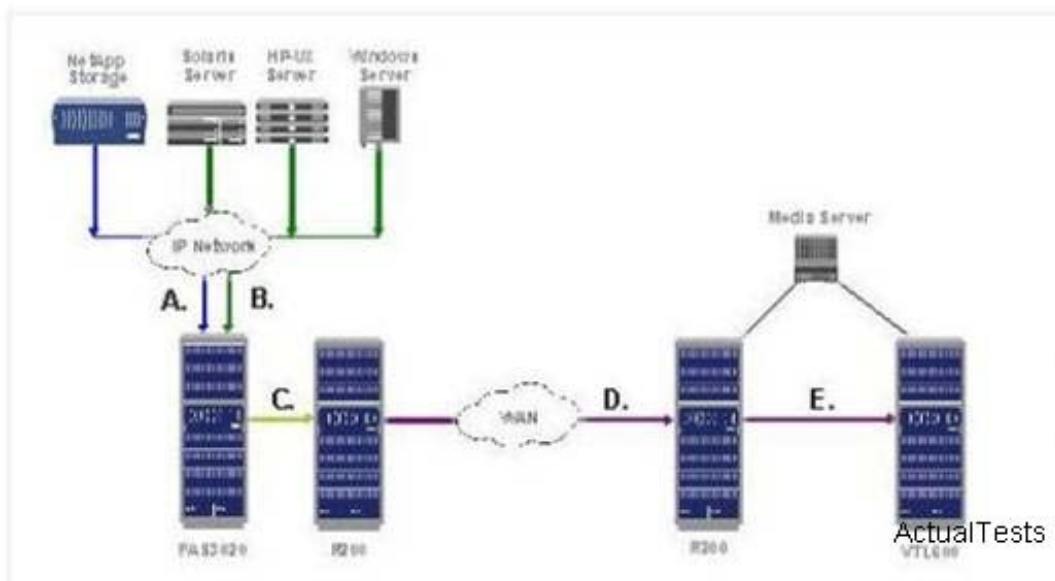
A destination volume for backups and data retention is known as a _____ ?

- A. Vault
- B. Secondary Volume
- C. Mirrorplex
- D. Cluster

Answer: B

QUESTION NO: 6

Looking at the diagram below:



Which one of the following is the supported configuration?

- A. (A) SnapVault, (B) OSSV. (C) SnapVault, (D) Async SnapMirror, (E) NDMP
- B. (A) SnapVault, (B) SnapVault. (C) SnapMirror, (D) SnapMirror, (E) NDMP
- C. (A) NDMP, (B) SnapVault. (C) SnapMirror, (D) SnapMirror, (E) NDMP
- D. (A) SnapVault, (B) OSSV. (C) SnapMirror, (D) SnapMirror, (E) NDMP

Answer: D

QUESTION NO: 7

A customer wants to deploy DFM into an existing SnapVault environment to manage the SnapVault backup schedules. What will occur?

- A. DFM will Auto discover all existing SnapVault schedules
- B. The command line schedules will be automatically ignored
- C. Newly created DEM schedules will take precedence over command line schedules
- D. Both schedulers will continue to run independently

Answer: D

QUESTION NO: 8

What OSSV command could you use to measure the network throughput on an OSSV primary?

- A. snapvault status
- B. ossv status
- C. snapvault perf
- D. ossv perf

Answer: A

QUESTION NO: 9

Which backup mechanism is most closely tied to snapshots?

- A. VolCopy
- B. SnapLock
- C. SnapVault
- D. NDMP

Answer: C

QUESTION NO: 10

What are the two key components of SnapVault for NetBackup?

- A. NearStore option license
- B. FAS 980
- C. NetBackup Enterprise 6.0 MP3 or later
- D. NetBackup 5.0 or later

Answer: A,C