

ISLEVER

# E20-870

Storage Management for Implementation  
Engineers

DEMO

<https://www.islever.com/e20-870.html>

<https://www.islever.com/emc.html>

For the most up-to-date exam questions and materials, we recommend visiting our website, where you can access the latest content and resources.

---

**QUESTION NO: 1**

When installing ControlCenter on a high latency network that is within the supported limits, what must be considered?

- A. Stores may be installed at remote sites
- B. The number of active consoles should be limited
- C. Commands take longer to execute
- D. Firewalls must not be used

**Answer: C**

**QUESTION NO: 2**

A customer is interested in forwarding all critical CLARiiON array faults to a SNMP-based framework application. What should be configured?

- A. Navisphere Event Monitor to forward array events to the SNMP framework
- B. Navisphere Event Monitor to forward array events to ControlCenter
- C. ControlCenter to forward CLARiiON alerts to the SNMP framework
- D. ControlCenter to forward Navisphere events to the SNMP framework

**Answer: A**

**QUESTION NO: 3**

After installing a new ControlCenter infrastructure, how would you modify the java heap size for the Store?

- A. Execute alter\_store\_params.bat
- B. Modify the ctg.ini file
- C. Execute alter\_java\_params.bat
- D. Execute alter\_startup\_params.bat

**Answer: D**

**QUESTION NO: 4**

A new user "joe" is created on the ControlCenter server. This user is then added as a default ControlCenter Console user by the ControlCenter administrator. User "joe" should be allowed to perform only configuration and SRDF operations on all discovered Symmetrix units in ControlCenter. How can this be set up?

- 
- A. Assign Symmetrix Configuration Manager and Symmetrix Data Protection Manager rules to "joe"
  - B. Add "joe" to ECC Administrators and Symmetrix Data Protection Manager user groups
  - C. Assign ECC Administrators and Symmetrix Configuration Manager rules to "joe"
  - D. Add "joe" to Symmetrix Configuration Manager and Symmetrix Data Protection Manager user groups

**Answer: D**

#### **QUESTION NO: 5**

A customer wants reports on applications capacity utilization in StorageScope. What must be done with the application's Managed Objects?

- A. Create user defined groups of the objects within StorageScope
- B. Filter ControlCenter Console View based on the objects
- C. Include the objects in the StorageScope XML data
- D. Create user defined groups of the objects within the ControlCenter Console

**Answer: D**

#### **QUESTION NO: 6**

When installing ControlCenter on a high latency network that is within the supported limits, what must be considered?

- A. Commands take longer to execute
- B. Stores may be installed at remote sites
- C. Firewalls must not be used
- D. The number of active consoles should be limited

**Answer: A**

#### **QUESTION NO: 7**

A customer is interested in forwarding all CLARiiON array faults to a SNMP-based framework application. What should be configured?

- A. ANavisphere Event Monitor template to forward all CLARiiON array faults to ControlCenter
- B. A ControlCenter Management Policy to forward all CLARiiON alerts to the framework application
- C. ANavisphere Event Monitor template to forward all CLARiiON array fault events to the framework application

---

D. A ControlCenter management policy to forward all Navisphere events to the framework application

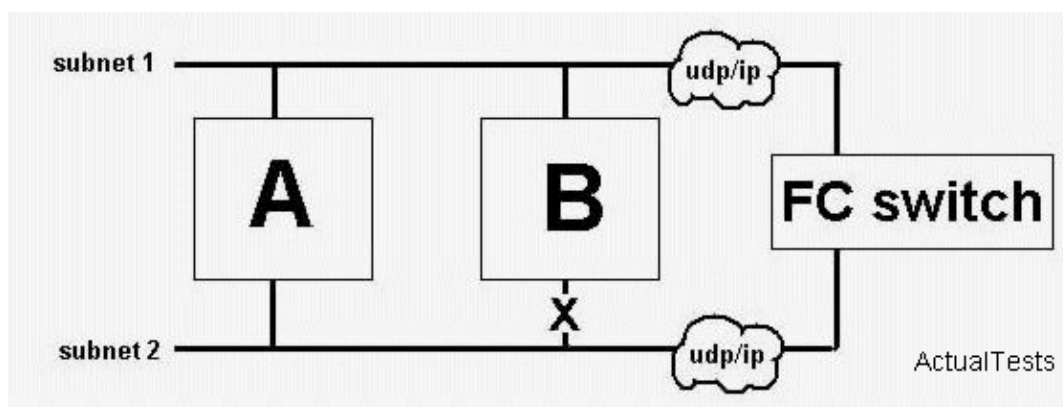
**Answer: C**

**QUESTION NO: 8**

Click the Exhibit button.

An 8-port blade of an IP switch has failed, so a network administrator contacts you to see if ControlCenter has any issues. Testing shows that Host B no longer has a connection to subnet 2, and that an FCC Agent on Host B can no longer perform an assisted discovery of the FCC switch.

The FCC Agent on Host A can still perform assisted discoveries. Why?



- A. The FCC Agent on Host B has the FQDN of the switch
- B. Host A has NIC teaming on subnet 1, reducing exposure to the failure
- C. There was a firewall on subnet 1 before the blade failure
- D. Host A has a Storage Agent for NAS

**Answer: C**

**QUESTION NO: 9**

A customer wants to export reports from the StorageScope Web interface. Which two [2] formats can be used?

- A. XML
- B. PDF
- C. HTML
- D. CSV
- E. JPG