

ISLEVER

# E20-533

Networked Storage - SAN Specialist

DEMO

<https://www.islever.com/e20-533.html>

<https://www.islever.com/emc.html>

For the most up-to-date exam questions and materials, we recommend visiting our website, where you can access the latest content and resources.

---

**QUESTION NO: 1**

Which command is used to create a new user on the Data Mover for FTP?

- A. nas\_user
- B. server\_ftpuser
- C. server\_user
- D. nas\_newuser

**Answer: C**

**QUESTION NO: 2**

Which storage template is available in a NS Integrated system that uses ATA physical drives?

- A. CX\_Standard\_Raid\_5
- B. CX\_All\_4Plus1\_Raid\_5
- C. ATA\_RAID3\_HS\_4+1\_8+1
- D. ATA\_CX\_Standard\_Raid\_1

**Answer: C**

**QUESTION NO: 3**

A NAS solution is required that includes high availability and always available network connections. The Ethernet switch is made by Typhoon Data Networks and is IEEE compliant. Which EMC NAS networking solution must be implemented?

- A. DHCP
- B. LACP
- C. EthernetChannel
- D. VLAN

**Answer: B**

**QUESTION NO: 4**

All of the following are uses of the server\_ifconfig command except

- A. Enable network connectivity status
- B. Assign an address to a NIC
- C. Disable or delete configured interfaces

---

D. Create a network interface from a network device

**Answer: A**

**QUESTION NO: 5**

Celerra quotas are turned off. How does that affect the existing user and group quota information?

- A. it will still be active
- B. it will be lost
- C. it is maintained
- D. it becomes unavailable

**Answer: C**

**QUESTION NO: 6**

When the getreason command is used, which status identifies that a Data Mover needs to be replaced?

- A. powered off
- B. contacted
- C. connected
- D. dos booted

**Answer: A**

**QUESTION NO: 7**

What is used for centralized user and group management in a UNIX environment?

- A. UDP
- B. NIS
- C. NTLM
- D. UFS

**Answer: B**

**QUESTION NO: 8**

---

Which industry standard network backup protocol is supported on Celerra?

- A. Network Data Management Protocol
- B. Network Data Backup Protocol
- C. Simple Data Backup Protocol
- D. Direct Connect Backup Protocol

**Answer: A**

**QUESTION NO: 9**

On which volume type is a file system created?

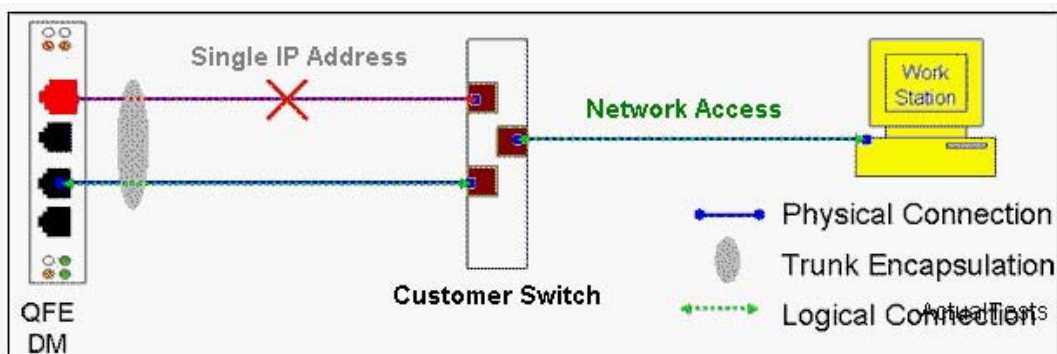
- A. Celerra meta volume
- B. Celerra disk volume
- C. Celerra slice volume
- D. Celerra stripe volume

**Answer: A**

**QUESTION NO: 10**

Click the Exhibit button.

What will happen if one of the trunking network paths fails (indicated by the X)?



- A. I/O will pass on both paths
- B. All I/O will pass on active path only
- C. The Data Mover will failover
- D. I/O will wait until the failed path becomes available

**Answer: B**