

ISLEVER

# E20-324

VNX Solutions Design Exam for Technology  
Architects

DEMO

<https://www.islever.com/e20-324.html>

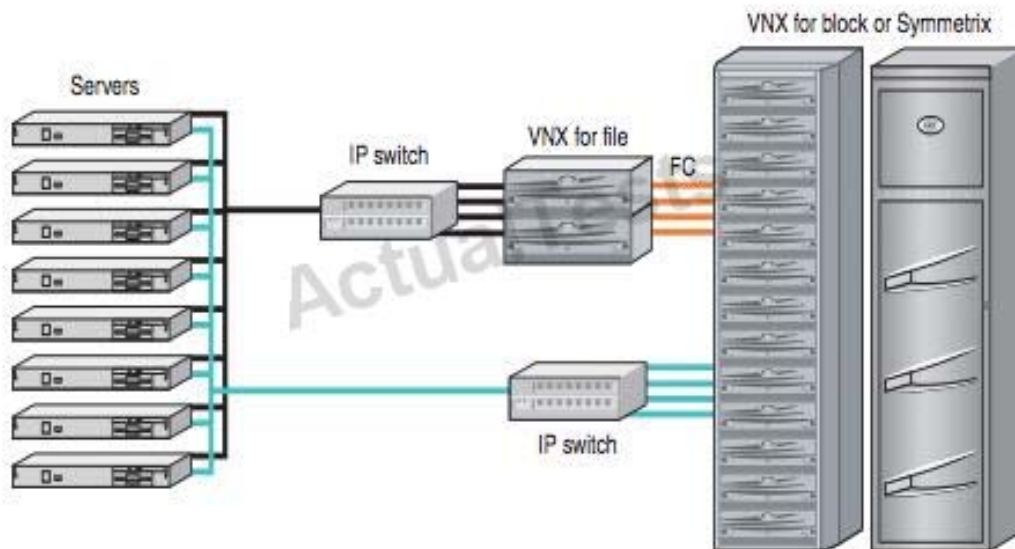
<https://www.islever.com/emc.html>

For the most up-to-date exam questions and materials, we recommend visiting our website, where you can access the latest content and resources.

---

**QUESTION NO: 1**

Refer to the exhibit.



What type of VNX MPFS configuration is illustrated with this topology?

- A. VNX gateway with FC
- B. VNX with iSCSI/FC
- C. VNX with iSCSI/FCoE
- D. VNX gateway with MPFSi

**Answer: D**

**Explanation:**

**QUESTION NO: 2**

The majority of your customer's servers have highly utilized database applications that require predictable performance.

What type of storage do you recommend?

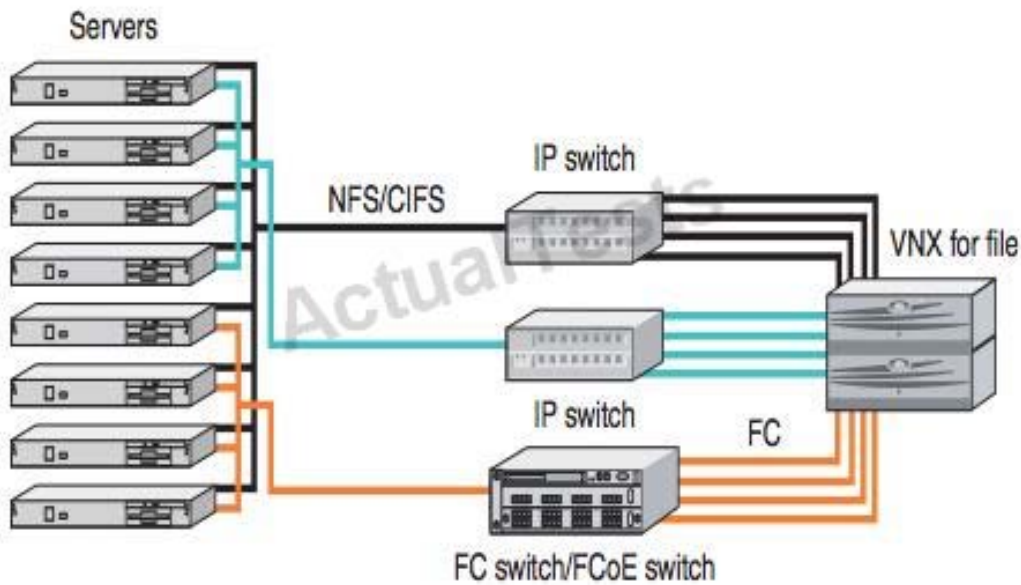
- A. RAID Groups with traditional LUNs
- B. Storage groups with thick LUNs
- C. Pool with traditional LUNs
- D. RAID Groups with thin LUNs

**Answer: A**

**Explanation:**

**QUESTION NO: 3**

Refer to the exhibit.



What type of VNX configuration is illustrated with this topology?

- A. VNX MPFS with iSCSI/FC
- B. VNX MPFS with FC/FCoE
- C. VNX gateway with iSCSI/FC
- D. VNX gateway with FC

**Answer: A**

**Explanation:**

**QUESTION NO: 4**

While gathering performance data during peak workloads, which type of collection method is best suited?

- A. Larger periods of data collection over shorter intervals
- B. Smaller periods of data collection over shorter intervals
- C. Smaller periods of data collection over larger intervals

---

D. Larger periods of data collection over larger intervals

**Answer: C**

**Explanation:**

**QUESTION NO: 5**

You are gathering data from a customer environment. You have to process a number of configuration reports.

What tool provides a simple method of processing the data gathering configuration?

- A. Unisphere Analyzer
- B. Collect Support Materials
- C. E-Lab Advisor
- D. CLARiiON Configuration Builder

**Answer: C**

**Explanation:**

**QUESTION NO: 6**

When interviewing customer personnel, you learn of two sets of requirements:

- The technical team has a specific set of requirements that they have to meet.
- The manager has a financial requirement that has to be met.

As you begin to design, it becomes clear that, in order to meet the technical goal, the financial requirement will be exceeded. What should you do?

- A. Let both teams know of the constraints and see if there can be a mutual resolution.
- B. Since this is a technical project you should design to the technical team requirements.
- C. Because the manager is paying for the equipment, limit the design to fit into the financial constraints.
- D. Design to the technical requirement and then take enough storage out to meet the financial goal.

**Answer: A**

**Explanation:**