

ISLEVER

DSDSC-200

Dell EMC SC Series Storage Professional
Exam

DEMO

<https://www.islever.com/dsdsc-200.html>

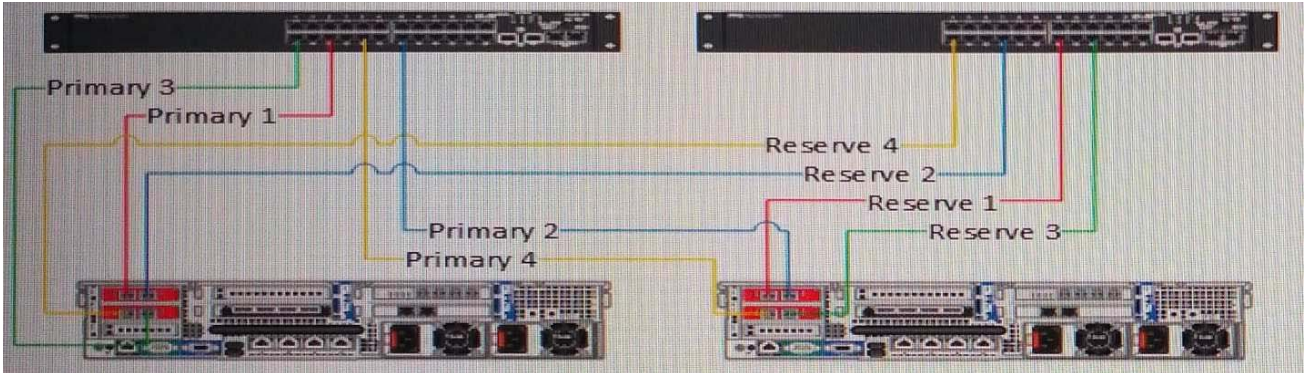
<https://www.islever.com/emc.html>

For the most up-to-date exam questions and materials, we recommend visiting our website, where you can access the latest content and resources.

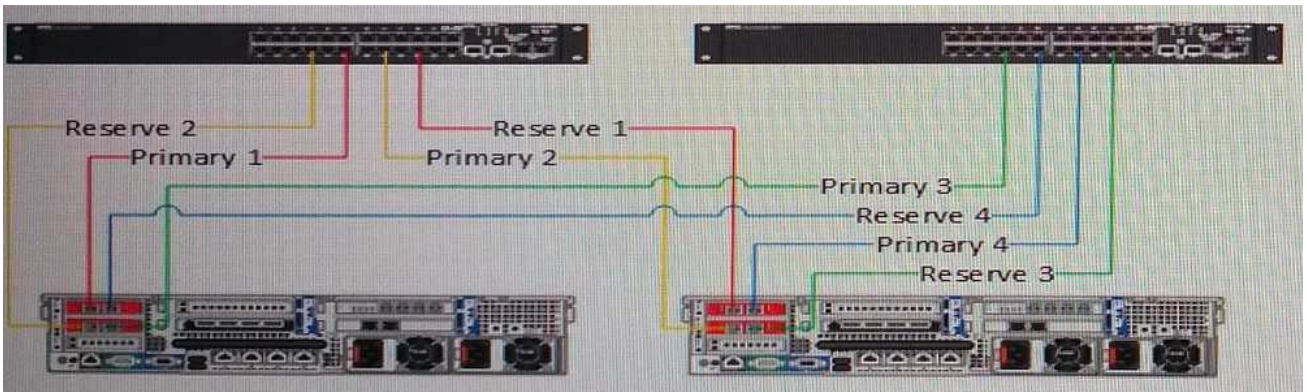
QUESTION 1

A deployment technician needs to install a dual-controller Storage Center with two Fibre Channel (FC) fabrics. The site will run in Legacy mode. What is the correct front-end cabling?

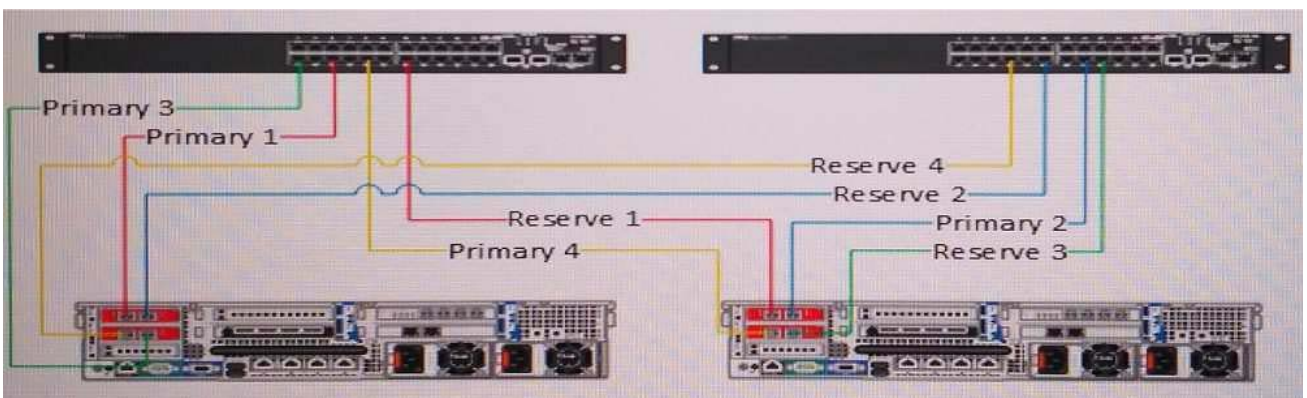
A.



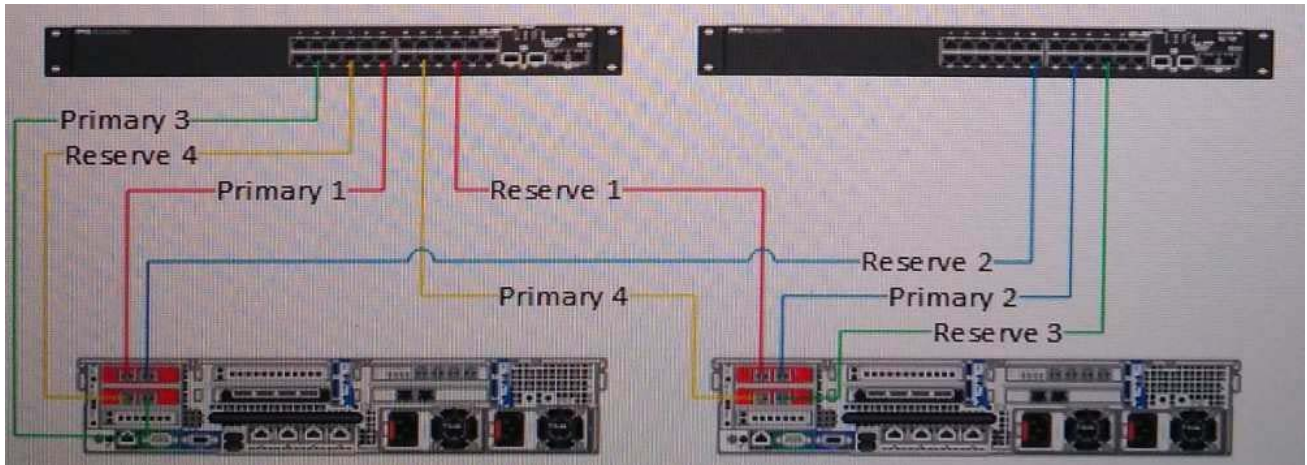
B.



C.



D.



Answer: B

QUESTION 2

The administrator notices that some disks show as down intermittently. The disks are all in the same enclosure. What is the problem?

- A. Each disk drive must be replaced.
- B. The enclosure is powered off.
- C. The SAS cable is NOT fully seated.
- D. The Disk folder is NOT properly configured.

Answer: C

QUESTION 3

Which two steps should the engineer take prior to racking any equipment? (Choose two.)

- A. remove batteries from controllers to prevent risk of electric shock
- B. remove any jewelry or metal objects from the engineer's body
- C. remove the disk drives from inside the shipped enclosures
- D. apply an ESD wrist or ankle strap to avoid damage to parts

Answer: BD

QUESTION 4

The SAS chain starts in port 1 controller 1 and ends at controller 2 at port 3. What are the correct connections in a 4-port SAS IO card?

- A. Side Aport 1: port 3 &: Side Bport 1: port 3
- B. Side Aport 3: port 3 &: Side Bport 3: port 3
- C. Side Aport 1: port 1 &: Side Bport 1: port 1
- D. Side Aport 1: port 1 &: Side Bport 3: port 3

Answer: A

QUESTION 5

A customer has iSCSI servers that occasionally perform poorly. The performance issues on a particular server occur during temporary traffic spikes to that server.

Logs show that the number of dropped packets increases during the traffic spike. In normal traffic conditions, performance is acceptable.

What are iSCSI best practices to fix this problem?

- A. make sure that switches used for iSCSI are non-blocking switches
- B. disable storm control
- C. enable jumbo frames end-to-end
- D. enable bi-directional flow control

Answer: D

QUESTION 6

A storage array is configured with four front-end ports on each controller (in a dual-controller configuration)