

ISLEVER

920-804

Nortel technology standards and protocols for converged networks

DEMO

<https://www.islever.com/920-804.html>

<https://www.islever.com/nortel.html>

For the most up-to-date exam questions and materials, we recommend visiting our website, where you can access the latest content and resources.

QUESTION NO: 1

Which two statements must be true for two or more H.323 Version 3 gatekeepers, each from separate distinct zones to interwork with one another, properly? Assume that there is a primary and alternate gatekeeper for each of the zones. (Choose two.)

- A. Each of the primary gatekeepers must have the alias names of the other zones' gatekeepers configured within its system database. This would include the names of both the primary and secondary gatekeepers within the other zones.
- B. The gatekeepers must be configured on the same subnet within each of their respective zones.
- C. Each of the primary gatekeepers must have the IP addresses of the other zones' gatekeepers configured within its system database. This would include the IP addresses of both the primary and secondary gatekeepers within the other zones.
- D. The customer IP network connecting the gatekeepers together must adequately forward IP multicast traffic end-to-end between each of the gatekeepers in the different zones.
- E. The network must have the Router Internet Protocol V2 (RIPv2) enabled on each of the gatekeepers.

Answer: C,D

QUESTION NO: 2

On a best effort VoIP network, a customer has a QoS issue of intermittent voice muting. What are some things that should be tested to determine the cause?

- A. Packet frame size, and fragmentation method.
- B. VoIP traffic patterns and available bandwidth.
- C. Compatibility of network devices.
- D. Network delay, packet loss and jitter.

Answer: D

QUESTION NO: 3

A customer with a VoIP solution has two gateways located in the same location. There are two T1s/E1s connecting the VoIP system to the Public Switched Telephone Network (PSTN). Which three reasons support placing the two T1s/E1s in separate gateways? (Choose three.)

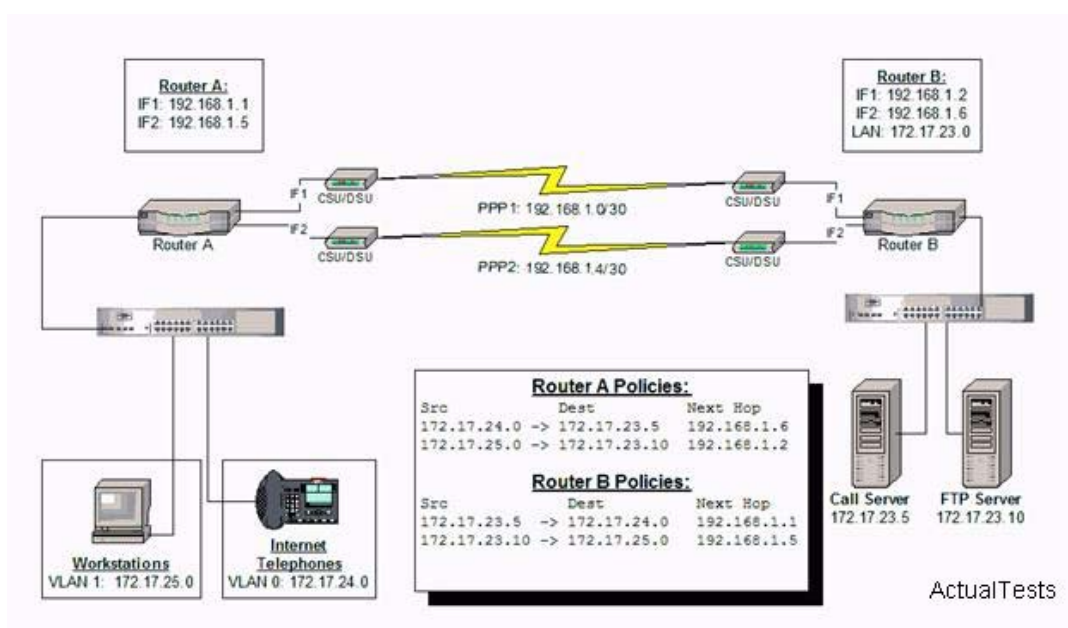
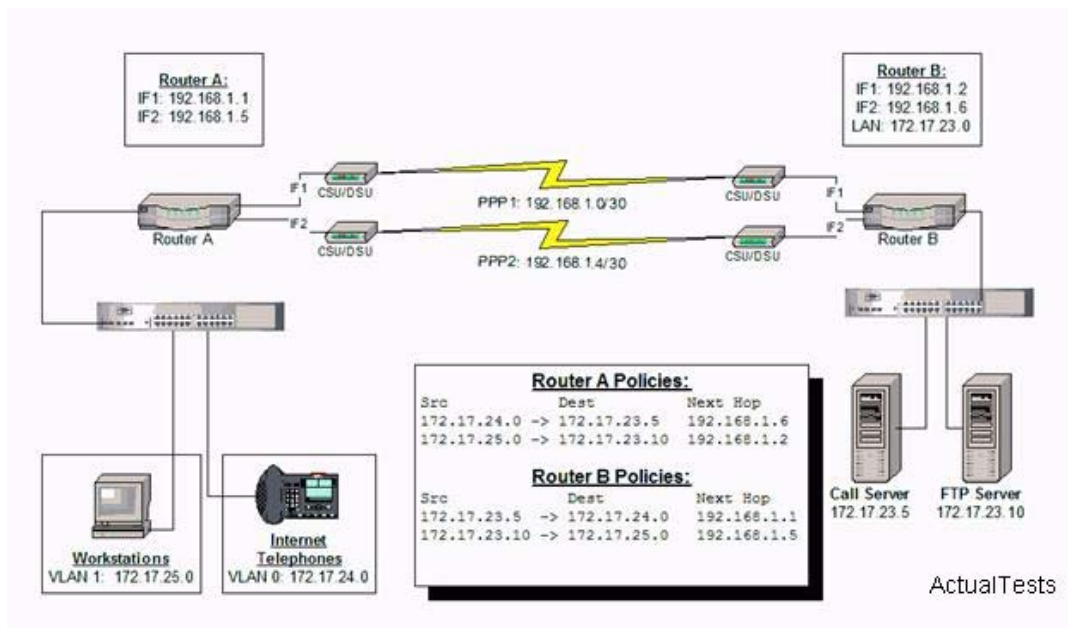
- A. Traffic distributed through two gateways decreases processor load on each gateway.
- B. If the network connection is lost to one gateway, the traffic will still have access to the PSTN through the other gateway.
- C. If one gateway fails, traffic can be routed through the other gateway removing one point of failure.

D. Splitting the T1s/E1s between two gateways will decrease the potential down time on each T1/E1.

Answer: A,B,C

QUESTION NO: 4

Click the exhibit button. A customer with the Frame Relay (FR) network depicted in the exhibit is having issues with serialization delay when interleaving data and VoIP traffic. They have decided to implement fragmentation. Which fragmentation implementation provides the least amount of delay and the most efficient transport of fragments?



- A. fragmentation on Routers A, B, and D
- B. fragmentation on all Virtual Circuits (VCs)

-
- C. fragmentation on Router C
 - D. end-to-end fragmentation on all Permanent Virtual Circuits (PVCs)

Answer: A

QUESTION NO: 5

During a network assessment, you want to look at historical data (traffic patterns, utilizations, peak bandwidth loads, etc.) of a customer network. Which of the following applications/tools could potentially be used?

- A. Network Management System
- B. Operational measurements
- C. D-Logs
- D. NetIQ Voip Assessor

Answer: A

QUESTION NO: 6

A customer is performing VoIP trunking between two IP enabled Private Branch Exchanges (PBXs) over a WAN. Some customers have reported that frequently they will place a VoIP call to someone at the remote site and experience one-way speech path or NO speech path at all. Examination of the issue reveals the following: ?Calls with speech - path issues are undergoing proper call - setup. ?When the issue occurs, the Forward Explicit Congestion Notification/Backward Forward Explicit Congestion Notification (FECN/BECN) counters of the routers increment. ?When the issue occurs, the Discard Eligibility (DE) counter increments. ?A continuous ping between the two sites reveals spikes in delay and minor loss. Which action should you take to resolve the speech - path issue?

- A. Increase the jitter-buffer size.
- B. Increase the Committed Information Rate (CIR).
- C. Select a different CODEC.
- D. Map non-VoIP traffic to a lower-priority queue.

Answer: B

QUESTION NO: 7

A customer wants to run a QoS test to measure Per Hop Behaviors (PHBs). Which methodology should you use to run this test?